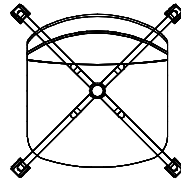
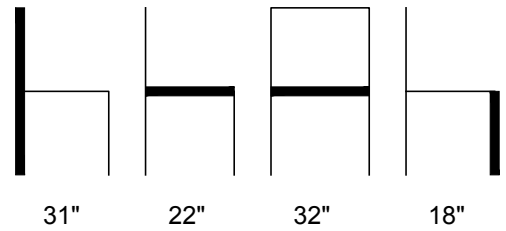
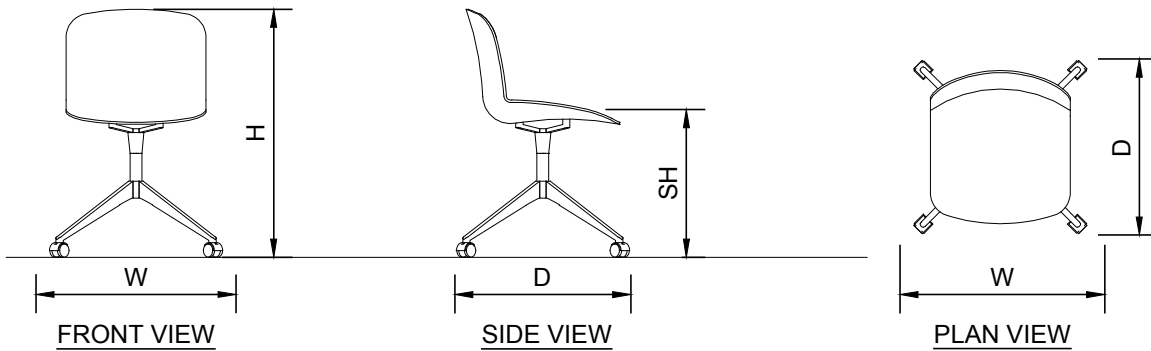




Aceray LLC
www.aceray.com
E-mail: info@aceray.com



3D



LIBRO-1SWIV5PC

1/2"=1'-0"

NOTES:

1. INSTALLATION TO BE COMPLETED IN ACCORDANCE WITH MANUFACTURER'S SPECIFICATIONS.
2. ALL DIMENSIONS ARE CONSIDERED TRUE AND REFLECT MANUFACTURER'S SPECIFICATIONS.
3. DO NOT SCALE DRAWING.